

# N 630.15 SERIES

## PROCESS VACUUM PUMPS AND COMPRESSORS



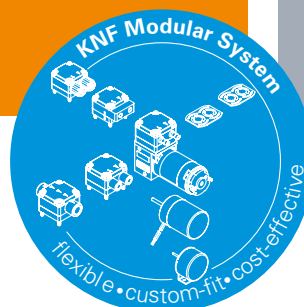
N 630.15 SP.9 E

### ADVANTAGES

- High chemical resistance
- Durable even with difficult operating conditions
- High level of gas tightness
- Ambient temperatures of up to 60 °C possible with water cooling
- High operating pressure of max. 12 bar rel.
- The pump can start against the entire pressure and vacuum range

### POSSIBLE AREAS OF USE

- Environmental monitoring
- Process industry
- Chemical industry
- Energy technology – e.g. pressure increase for natural gas
- Gas recovery



Please visit our website  
[www.knf.com](http://www.knf.com)  
 to get more information

PERFORMANCE DATA				
Series model	N 630.15 - 50 Hz Version		N 630.15 - 60 Hz Version	
Material design	ST.9 E / ST.13 E	SP.9 E / SP.13 E	ST.9 E / ST.13 E	SP.9 E / SP.13 E
Pump head	Stainless steel			
Diaphragm	PTFE-coated	EPDM	PTFE-coated	EPDM
Valves	Stainless steel			
Flow rate at atm. pressure (l/min)	30.0		35.0	
Ultimate vacuum (mbar abs.)	70			
Max. operating pressure (bar rel./psig)	12.0/174.0			
Permissible ambient temperature (°C)	+5 ... +60 (+40 without water cooling)			
Permissible media temperature (°C)	+5 ... +60 (+40 without water cooling)			
Level of gas tightness (mbar x l/s) .9   .13	6 x 10 <sup>-3</sup> / 5 x 10 <sup>-5</sup>			
Weight (kg/lbs)	55.0/121.0			
ELECTRICAL DATA				
Voltage (V)	230/400	200/346	220/380	277/480
Motor	Three-phase motor			
Protection class motor	IP 55			
Protection class pump	IP 20			
Frequency (Hz)	50	50/60	60	
Power P <sub>2</sub> (W)	1500			
I <sub>N</sub> (A), 50 Hz	6.15/3.55	7.0/4.05	-	
I <sub>N</sub> (A), 60 Hz	-	7.1/4.1	6.5/3.75	5.2/3.0

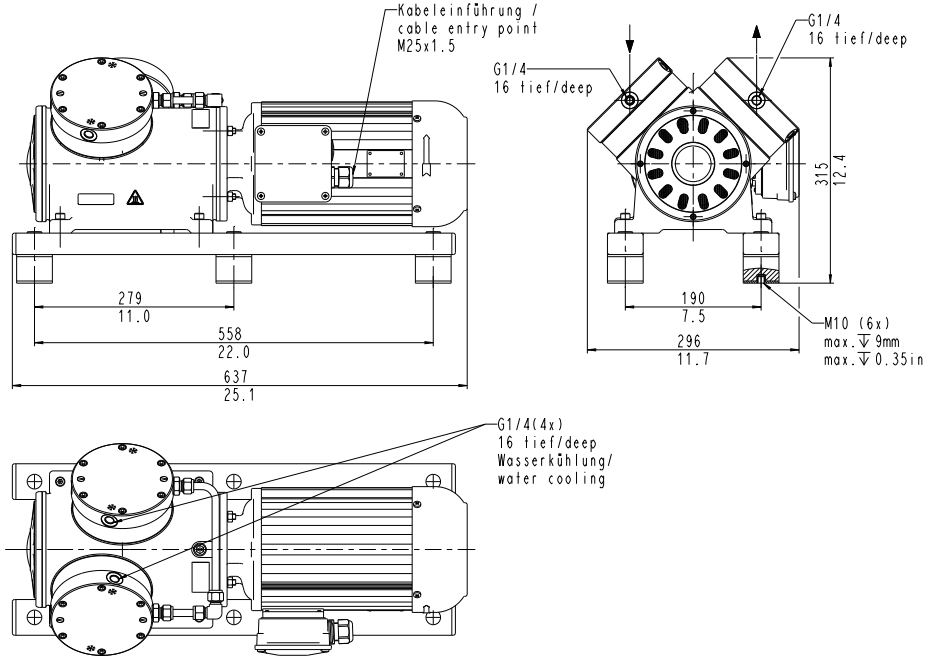
# N 630.15 ST.9 E | ST.13 E

## PERFORMANCE DATA

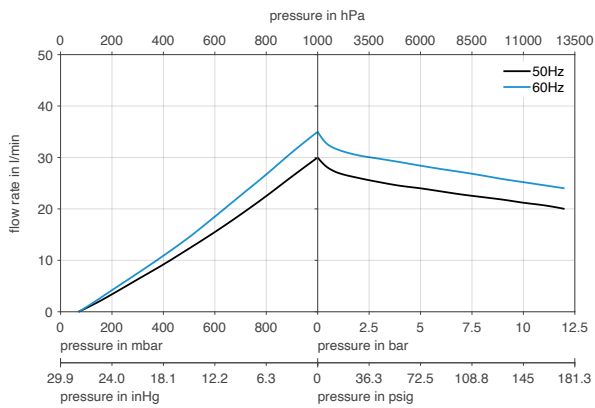
Series model	Flow rate at atm. pressure (l/min) <sup>1)</sup>	Max. operating pressure (bar rel./psig)	Ultimate vacuum (mbar abs.)
N 630.15 ST.9 E - 50 Hz	30.0	12.0/174.0	70
N 630.15 ST.13 E - 50 Hz	30.0	12.0/174.0	70
N 630.15 ST.9 E - 60 Hz	35.0	12.0/174.0	70
N 630.15 ST.13 E - 60 Hz	35.0	12.0/174.0	70

<sup>1)</sup> Flow rate determined at 20 °C, 1013 mbar abs.  
(Pressure 0 to 1013 mbar abs. in accordance with ISO 21360-1/2)

## N 630.15 ST.9 E | ST.13 E

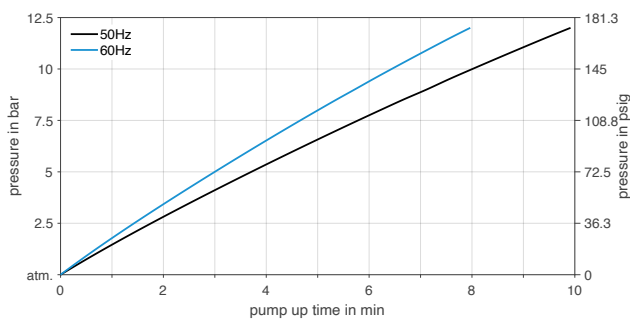


## N 630.15 ST.9 E | ST.13 E



## N 630.15 ST.9 E | ST.13 E

### PUMP UP TIME FOR 20 LITER VESSEL



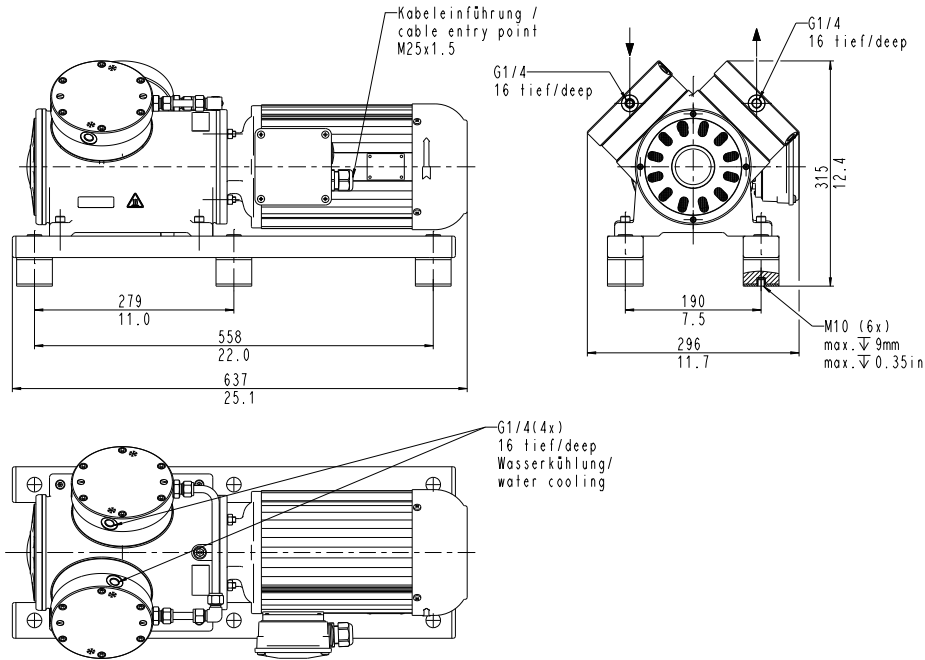
# N 630.15 SP.9 E | SP.13 E

## PERFORMANCE DATA

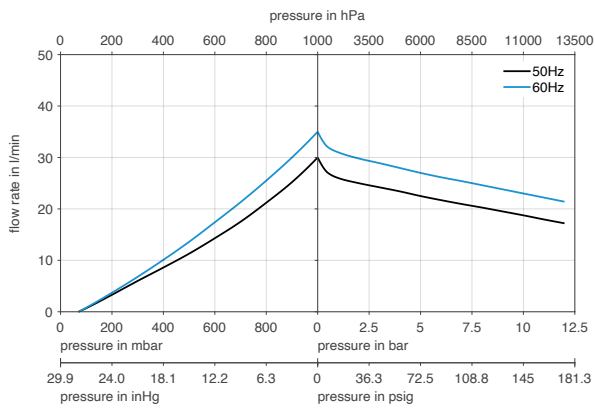
Series model	Flow rate at atm. pressure (l/min) <sup>1)</sup>	Max. operating pressure (bar rel./psig)	Ultimate vacuum (mbar abs.)
N 630.15 SP.9 E - 50 Hz	30.0	12.0/174.0	70
N 630.15 SP.13 E - 50 Hz	30.0	12.0/174.0	70
N 630.15 SP.9 E - 60 Hz	35.0	12.0/174.0	70
N 630.15 SP.13 E - 60 Hz	35.0	12.0/174.0	70

<sup>1)</sup> Flow rate determined at 20 °C, 1013 mbar abs.  
(Pressure 0 to 1013 mbar abs. in accordance with ISO 21360-1/2)

## N 630.15 SP.9 E | SP.13 E

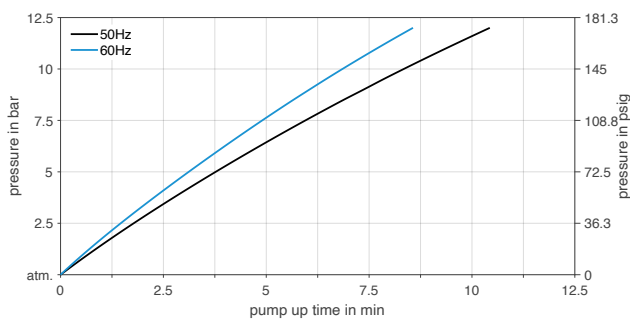


## N 630.15 SP.9 E | SP.13 E


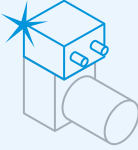
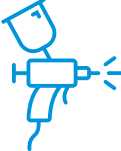




## N 630.15 SP.9 E | SP.13 E


### PUMP UP TIME FOR 20 LITER VESSEL



## OPTIONS

Description	Illustration	Details
Mechanical adjustment of pumping capacity	 A circular gauge with a needle pointing to the right, labeled 'FLOW' below it.	The pumping capacity can be adjusted at the factory to accommodate inlet pressure and for accurate alignment with the customer's system
Cleaned contact material parts	 A 3D illustration of a pump component with a starburst effect indicating cleaning.	For the use of the pump with gases with high oxygen concentrations the parts that come into contact with the medium can be cleaned using a certified process
Special coating	 A line-art illustration of a spray gun.	Special coatings for high corrosion protection (C4) for use in industrial areas and coastal areas with moderate salinity, such as maritime applications
Certified head components	 A 3D illustration of a pump component next to a document with a checkmark.	The components that come into contact with the medium are available with material certificates
Special motors	 A 3D illustration of a pump component next to a document with a checkmark.	Motors with special approval for maritime applications and motors with higher IP classification and insulation for tropical conditions are available on request

## ACCESSORIES

Description	Illustration	Part No.
Connection water cooling device N 630.15 S_9 E   S_13 E		310443
Inlet filter		316661
Transport eyebolt		311535
Wrench for retainer plate		321664
Retainer plate screw		314279

## SPARE PARTS

Description	Part No.
Spare parts kit N 630.15 ST.9 E	321882
Spare parts kit N 630.15 ST.13 E	321883
Spare parts kit N 630.15 SP.9 E	321879
Spare parts kit N 630.15 SP.13 E	321880

The performance values for the series models shown on this data sheet were determined under test conditions. The actual performance values may differ and depend in particular on the usage conditions and therefore on the specific application, on the parameters of the components involved in the user's system and on any technical modifications carried out which deviate from the standard configuration or the as delivered condition.

If individual designs have been created for specific customers on the basis of series models, other technical performance data may apply. Before operation begins, the relevant operating instructions and/or assembly or installation instructions should be read and the safety information contained in these instructions should be noted. KNF reserves the right to make changes to the product and the associated documentation without prior notice to the customer.



[www.knf.com](http://www.knf.com)