

N 022 AND N 026 SERIES VACUUM PUMPS AND COMPRESSORS



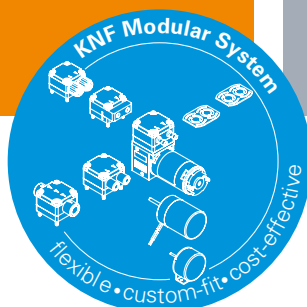
N 022 ANE with IP 20 Motor

ADVANTAGES

- Durable even with difficult operating conditions
- Versatile in pressure and vacuum applications

POSSIBLE AREAS OF USE

- Process industry
- Chemical industry
- Energy technology



Please visit our website
www.knf.com
to get more information

PERFORMANCE DATA

Series model	N 022 N 026					
Material design	ANE	AVE	ATE	SNE	SVE	STE
Pump head	Aluminum			Stainless steel		
Diaphragm	CR	FPM	PTFE-coated	CR	FPM	PTFE-coated
Valves	Stainless steel			CR	FPM	PTFE
Flow rate at atm. pressure (l/min)	15.0 20.0		13.0 17.0	15.0 20.0		13.0 17.0
Ultimate vacuum (mbar abs.)	100					
Max. operating pressure (bar rel./psig)	4.0/58.0 2.5/36.3	2.5/36.3	4.0/58.0 2.5/36.3	2.5/36.3		4.0/58.0 2.5/36.3
Permissible ambient temperature (°C)	+5 ... +40					
Permissible media temperature (°C)	+5 ... +40					
Weight (kg/lbs)	3.4/7.5 (IP 20) – 5.0/11.5 (IP 44)			5.2/11.5 (IP 20) – 6.8/15.0 (IP 44)		

ELECTRICAL DATA

Voltage (V)	230					
Motor	Capacitor motor					
Protection class motor	IP 20			IP 44		
Frequency (Hz)	50					
Power P ₁ (W)	100			120		
I _{max} (A)	0.70			1.00		

ACCESSORIES		
Description	Part No.	Details
Silencer/Inlet filter	000346	G 1/8
Fine control valve, pressure side	000349	with pressure gauge
Fine control valve, suction side	000350	with vacuum gauge
Pressure relief valve	000351	4.0 bar for N 022 __E
Pressure relief valve	000351	2.5 bar for N 026 __E
Hose connector	000360	G 1/8
Hose connector, stainless steel	020233	G 1/8
Connection box cover	008637	

SPARE PARTS		
Description	Part No.	Details
N 022 ANE N 026 ANE		
Diaphragm	001257	
Countersunk screw	110712	
Reed valve	001288	
Gasket	001273	
N 022 ATE N 026 ATE		
Diaphragm	001363	
Countersunk screw	110712	
Reed valve	001288	
Gasket	008323	
N 022 AVE N 026 AVE		
Diaphragm	001391	
Countersunk screw	110712	
Reed valve	001288	
Gasket	008323	
N 022 SNE N 026 SNE		
Diaphragm	001257	
Countersunk screw	110712	
Reed valve	001272	
N 022 STE N 026 STE		
Diaphragm	001363	
Countersunk screw	110712	
Reed valve	001364	
N 022 SVE N 026 SVE		
Diaphragm	001391	
Countersunk screw	110712	
Reed valve	001392	

The performance values for the series models shown on this data sheet were determined under test conditions. The actual performance values may differ and depend in particular on the usage conditions and therefore on the specific application, on the parameters of the components involved in the user's system and on any technical modifications carried out which deviate from the standard configuration or the as delivered condition.

If individual designs have been created for specific customers on the basis of series models, other technical performance data may apply.

Before operation begins, the relevant operating instructions and/or assembly or installation instructions should be read and the safety information contained in these instructions should be noted.

KNF reserves the right to make changes to the product and the associated documentation without prior notice to the customer.



www.knf.com

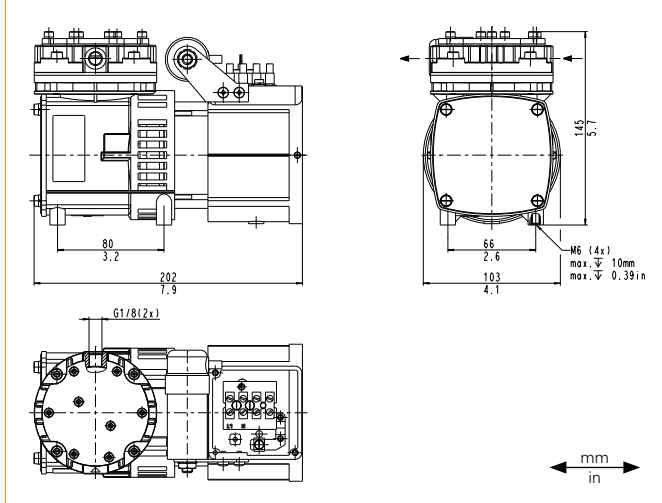
N 022 ANE | AVE | ATE | SNE | SVE | STE

PERFORMANCE DATA

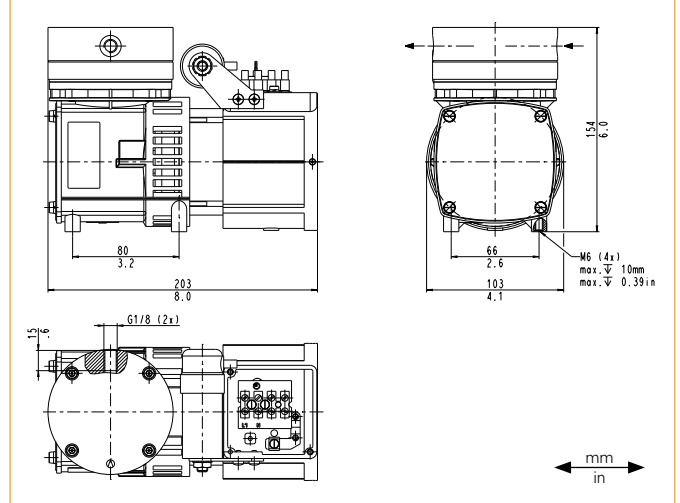
Series model	Flow rate at atm. pressure (l/min) ¹⁾	Max. operating pressure (bar rel./psig)	Ultimate vacuum (mbar abs.)
N 022 ANE	15.0	4.0/58.0	100
N 022 AVE	15.0	2.5/36.3	100
N 022 ATE	13.0	4.0/58.0	100
N 022 SNE	15.0	4.0/58.0	100
N 022 SVE	15.0	2.5/36.3	100
N 022 STE	13.0	4.0/58.0	100

¹⁾ Liter at STP

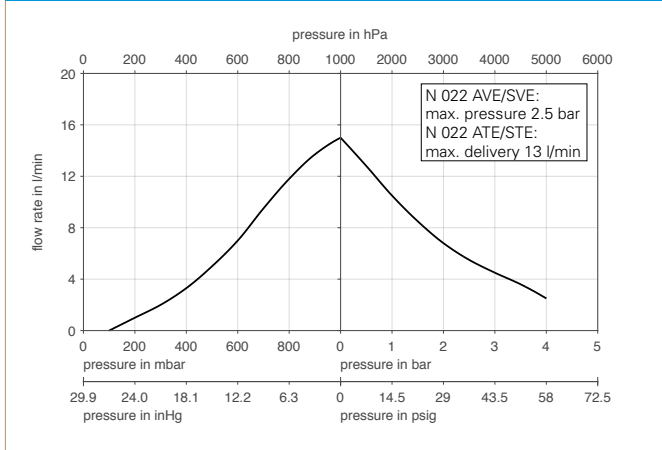
N 022 A_E (WITH IP 20 MOTOR)



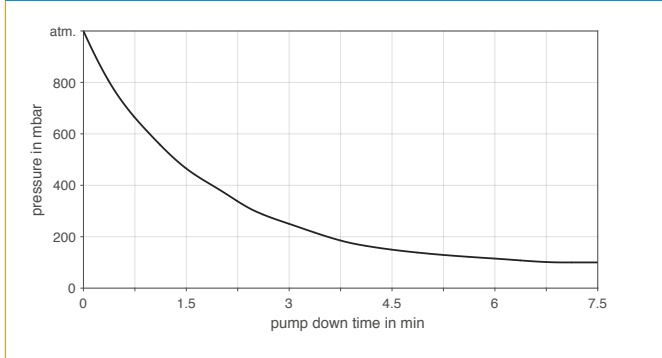
N 022 S_E (WITH IP 20 MOTOR)



N 022 ANE



N 022 ANE | PUMP DOWN TIME FOR 20 LITER VESSEL



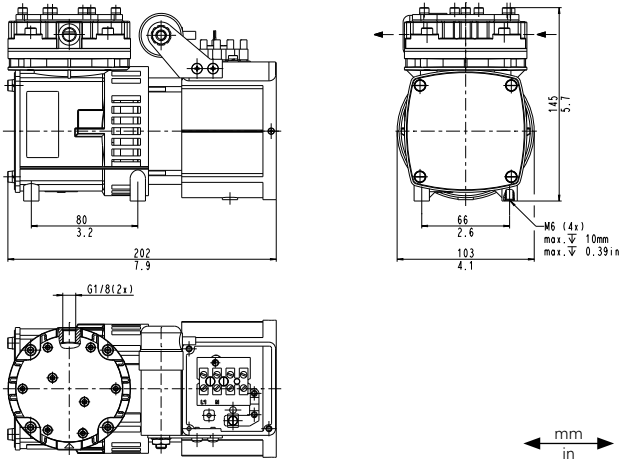
N 026 ANE | AVE | ATE | SNE | SVE | STE

PERFORMANCE DATA

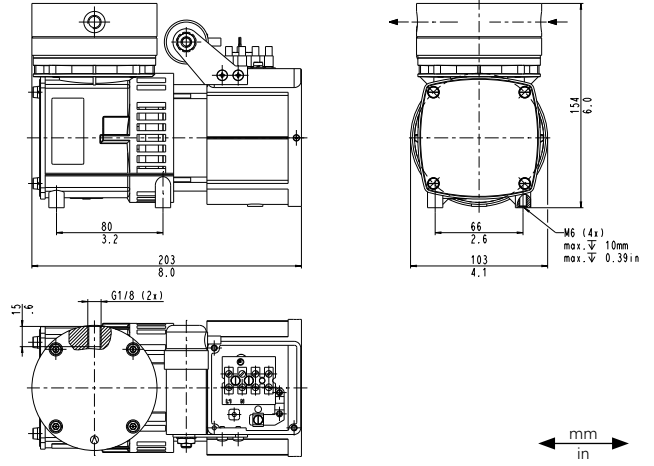
Series model	Flow rate at atm. pressure (l/min) ¹⁾	Max. operating pressure (bar rel./psig)	Ultimate vacuum (mbar abs.)
N 026 ANE	20.0	2.5/36.3	100
N 026 AVE	20.0	2.5/36.3	100
N 026 ATE	17.0	2.5/36.3	100
N 026 SNE	20.0	2.5/36.3	100
N 026 SVE	20.0	2.5/36.3	100
N 026 STE	17.0	2.5/36.3	100

¹⁾ Liter at STP

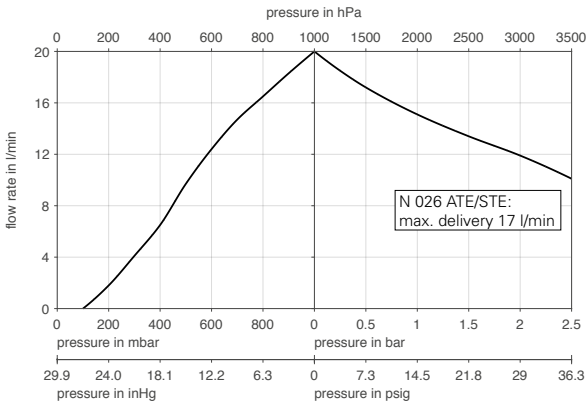
N 026 A_E (WITH IP 20 MOTOR)



N 026 S_E (WITH IP 20 MOTOR)



N 026 ANE



N 026 ANE | PUMP DOWN TIME FOR 20 LITER VESSEL

