

NMP850 SERIES MICRO DIAPHRAGM GAS PUMPS



NMP850KPDC



NMP850KPDC-B



NMP850.1.2KPDC-B

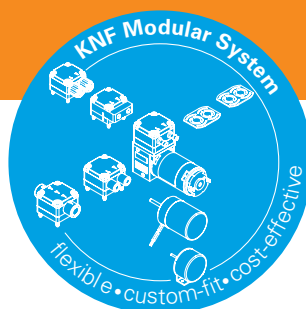
ADVANTAGES

- Customizing available
- Tested to customers specs
- High performance to size, efficiency and weight ratio
- Excellent reliability/durability
- Speed controllable
- Low sound level
- Long service life
- Uncontaminated transfer
- Maintenance-free
- High chemical resistance
- Can be installed in any position

POSSIBLE AREAS OF USE

- Medical devices
- Analytical equipment
- Emission measurement
- Reprographic
- Degassing
- Safety/Security
- Portable devices

Please visit our website
www.knf.com
to get more information.



PERFORMANCE DATA

Series Model	NMP850								NMP850.1.2			
	KPDC		KTDC		KPDC-B		KTDC-B		KPDC-B		KTDC-B	
Pump head	PPS											
Diaphragm	EPDM		PTFE coated		EPDM		PTFE coated		EPDM		PTFE coated	
Valves	EPDM		FFKM		EPDM		FFKM		EPDM		FFKM	
Flow rate at atm. pressure (l/min)	4.5	4.5	3.9	3.9	4.2	4.2	3.5	3.5	8	8	6	6
Ultimate vacuum (mbar abs.)	230	230	300	300	230	230	300	300	250	250	300	300
Ultimate pressure (bar rel)	2.3	2.3	2.0	2.0	2.5	2.5	2.0	2.0	2.3	2.3	2.0	2.0
Permissible media and ambient temperature (° C / ° F)	+5° C to +40° C / 41° F to 104° F (extended temperature on request)											
Weight (g/oz)	208/7.33		208/7.33		354/12.49		354/12.49		412/14.53		412/14.53	

ELECTRICAL DATA

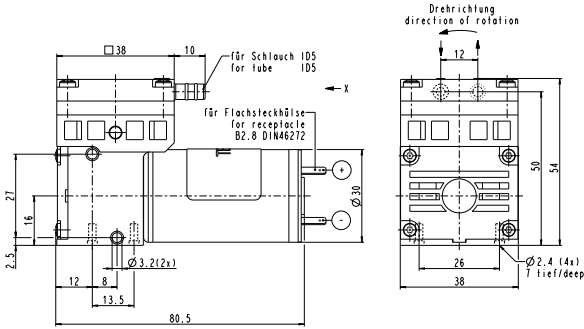
Voltage (V)	12	24	12	24	12	24	12	24	12	24	12	24
Motor	DC				Brushless DC				Brushless DC			
I _{max} (A)	0.65	0.4	0.65	0.4	0.7	0.35	0.7	0.35	0.97	0.49	0.97	0.49

NMP850KPCD

PERFORMANCE DATA

Series model	Flow rate at atm. pressure (l/min)	Max. operating pressure (bar rel)	Ultimate vacuum (mbar abs.)
NMP850KPCD 12V	4.5	2.3	230
NMP850KPCD 24V	4.5	2.3	230

NMP850KPCD



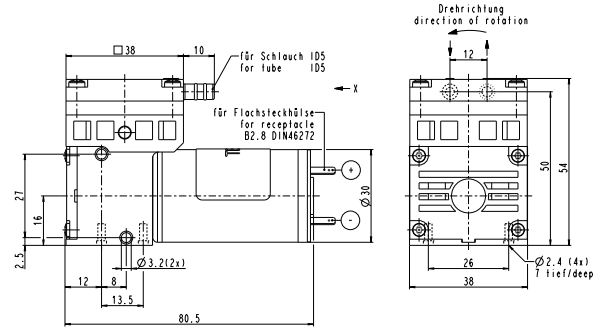
Dimensions in mm

NMP850KTDC

PERFORMANCE DATA

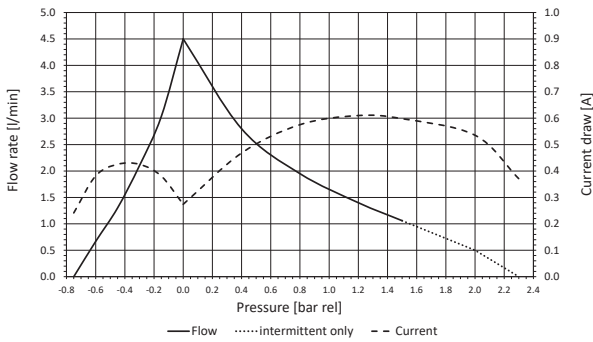
Series model	Flow rate at atm. pressure (l/min)	Max. operating pressure (bar rel)	Ultimate vacuum (mbar abs.)
NMP850KTDC 12V	3.9	2.0	300
NMP850KTDC 24V	3.9	2.0	300

NMP850KTDC

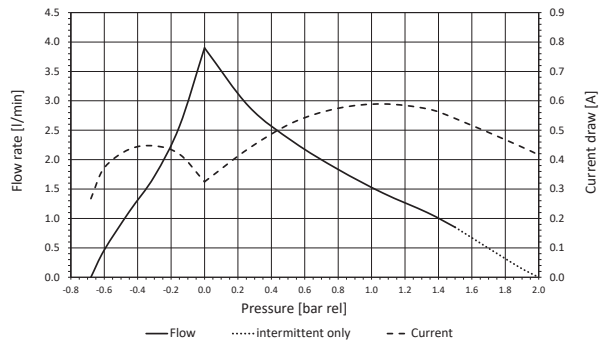


Dimensions in mm

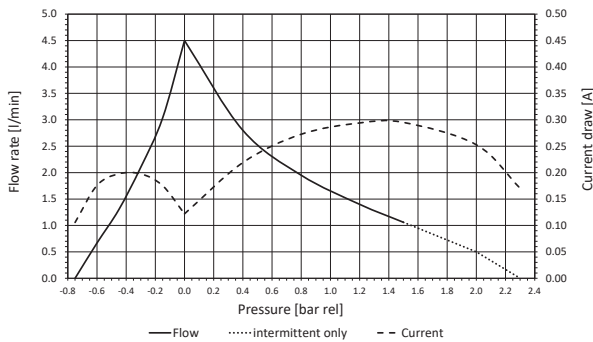
NMP850KPCD 12V FLOW CURVE



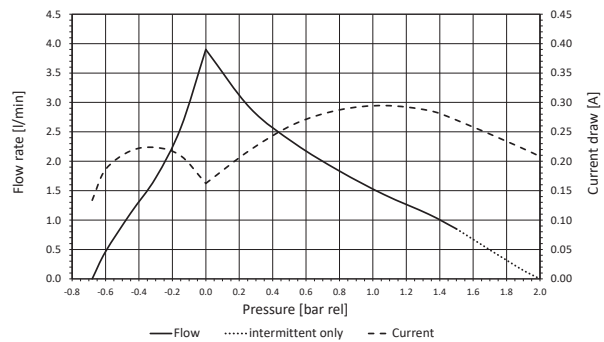
NMP850KTDC 12V FLOW CURVE



NMP850KPCD 24V FLOW CURVE



NMP850KTDC 24V FLOW CURVE

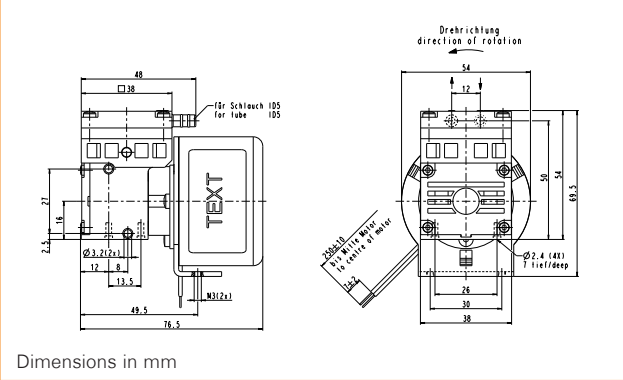


NMP850KPCD-B

PERFORMANCE DATA

Series model	Flow rate at atm. pressure (l/min)	Max. operating pressure (bar rel)	Ultimate vacuum (mbar abs.)
NMP850KPCD-B 12V	4.2	2.5	230
NMP850KPCD-B 24V	4.2	2.5	230

NMP850KPCD-B

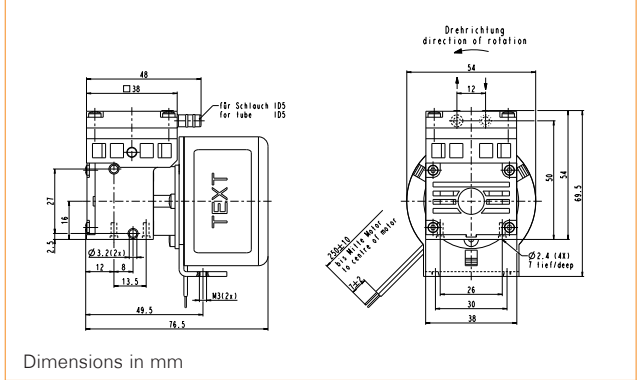


NMP850KTDC-B

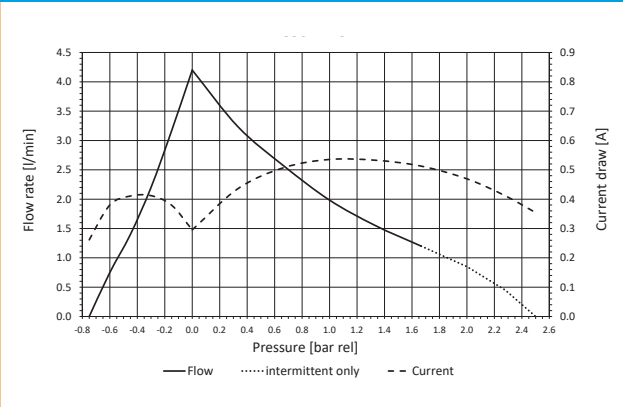
PERFORMANCE DATA

Series model	Flow rate at atm. pressure (l/min)	Max. operating pressure (bar rel)	Ultimate vacuum (mbar abs.)
NMP850KTDC-B 12V	3.5	2.0	300
NMP850KTDC-B 24V	3.5	2.0	300

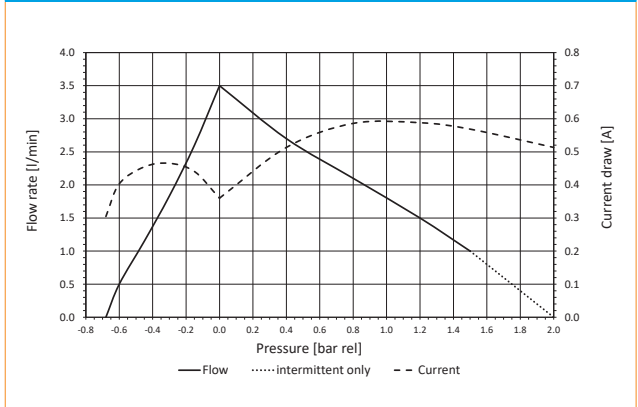
NMP850KTDC



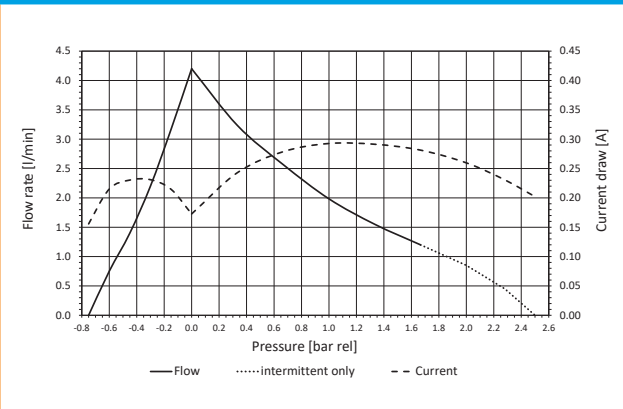
NMP850KPCD-B 12V FLOW CURVE



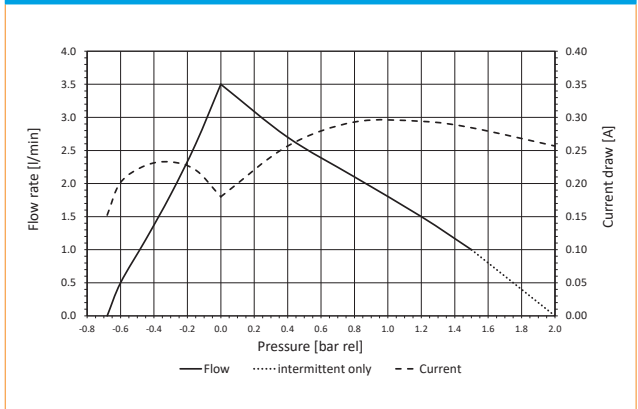
NMP850KTDC-B 12V FLOW CURVE



NMP850KPCD-B 24V FLOW CURVE



NMP850KTDC-B 24V FLOW CURVE

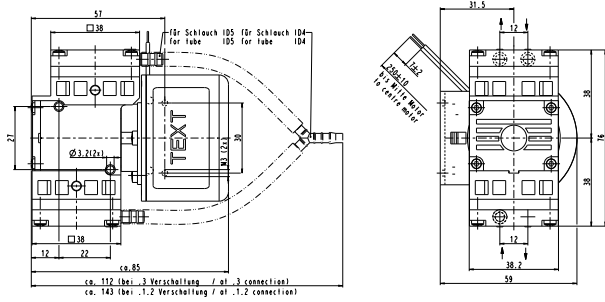


NMP850.1.2KPDC-B

PERFORMANCE DATA

Series model	Flow rate at atm. pressure (l/min)	Max. operating pressure (bar rel)	Ultimate vacuum (mbar abs.)
NMP850.1.2KPDC-B 12V	8	2.3	250
NMP850.1.2KPDC-B 24V	8	2.3	250

NMP850.1.2KPDC-B



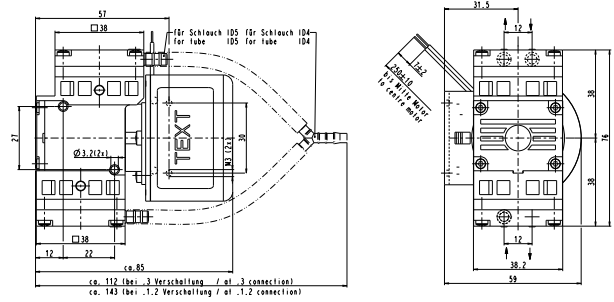
Dimensions in mm

NMP850.1.2KTDC-B

PERFORMANCE DATA

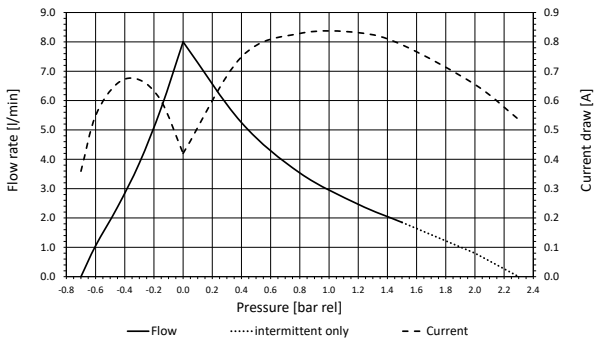
Series model	Flow rate at atm. pressure (l/min)	Max. operating pressure (bar rel)	Ultimate vacuum (mbar abs.)
NMP850.1.2KTDC-B 12V	6	2.0	300
NMP850.1.2KTDC-B 24V	6	2.0	300

NMP850.1.2KTDC-B

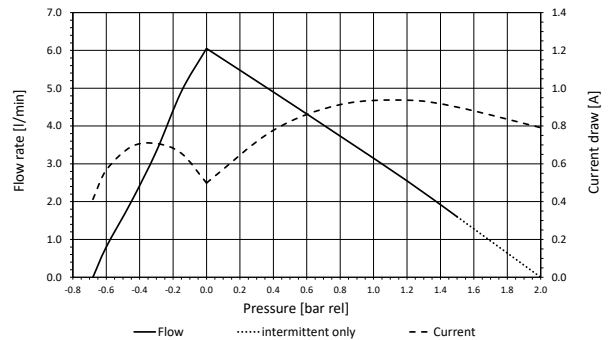


Dimensions in mm

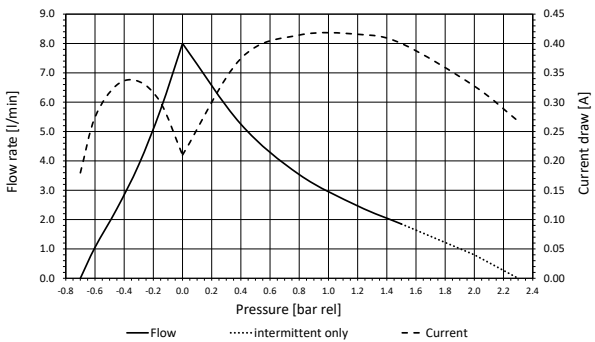
NMP850.1.2KPDC-B 12V FLOW CURVE



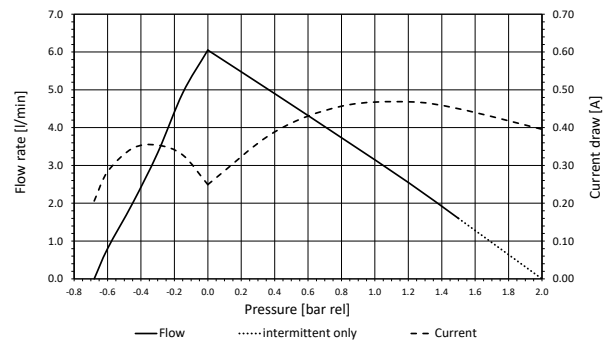
NMP850.1.2KTDC-B 12V FLOW CURVE





NMP850.1.2KPDC-B 24V FLOW CURVE



NMP850.1.2KTDC-B 24V FLOW CURVE



OPTIONS			
Description	Illustration	Part No.	Details
Motors			Other motor options are available. Ask your KNF sales contact to find the best solution for you.
Connecting plate			DN4/6 compression fitting M5 inside thread UNF 1/4"-.28 inside thread
Eccentric			Other eccentricities are available to meet your operating point best.

ACCESSORIES			
Description	Illustration	Part No.	Details
Silencer		118819	For hose barbs
Silencer		314005	For DN4/6 connecting plate
Silencer		024805	For Y-connector double head pump
Rubber-bonded metal		On request	

SPARE PARTS			
Description	Illustration	Part No.	Details
Spare part kit for KP version		123998	One Kit per head containing vale and diaphragm. For a double head pump two kits are required.
Spare part kit for KT version		325539	One Kit per head containing vale and diaphragm. For a double head pump two kits are required.

The performance values for the series models shown on this data sheet were determined under test conditions. The actual performance values may differ and depend in particular on the usage conditions and therefore on the specific application, on the parameters of the components involved in the user's system and on any technical modifications carried out which deviate from the standard configuration or the as delivered condition.

If individual designs have been created for specific customers on the basis of series models, other technical performance data may apply. Before operation begins, the relevant operating instructions and/or assembly or installation instructions should be read and the safety information contained in these instructions should be noted. KNF reserves the right to make changes to the product and the associated documentation without prior notice to the customer.



www.knf.com

KNF reserves the right to make technical changes without notice.
KNF 08/2022. www.knf.com